

FlexVu® Explosion-Proof Universal Display Unit Model UD10



DESCRIPTION

The FlexVu® Model UD10 is recommended for applications that require a gas detector with digital readout of detected gas levels as well as analog 4-20 mA output with HART, relay contacts, and Modbus RS485 (FOUNDATION™ Fieldbus option available). The UD10 Universal Display Unit is designed for use with Det-Tronics gas detectors such as GT3000, PIR9400, PIRECL, OPECL, C706x*, Model 505/CGS, CGS** or NTMOS, as well as generic linear 4-20 mA sensors. The display unit is designed and approved as a 'stand alone' device and performs all the functions of a gas controller.

Gas concentration and unit of measurement are indicated on a digital display. The display unit provides a linear isolated/non-isolated 4-20 mA DC output signal (with HART) that corresponds to the detected gas concentration.

All electronics are enclosed in an explosion-proof aluminum or stainless steel housing. The display unit is used with a single detector that may be either coupled directly to the UD10, or remotely located using a sensor termination box. The UD10 features non-intrusive calibration. A magnet is used to perform calibration as well as to navigate the UD10's internal menu.

The UD10 Universal Display can be used with various 4-20 mA gas detection devices, with or without HART. The unit provides display, output and control capabilities for the gas detector.

The UD10 utilizes the following I/O:

Signal Inputs:	4-20 mA loop from the sensing device
User Inputs:	Magnetic switches (4) on the display panel HART communication (handheld field communicator or AMS) FOUNDATION™ Fieldbus (if selected)
Signal Outputs:	4-20 mA output loop with HART Modbus RS485 or FOUNDATION™ Fieldbus Three alarm relays and one fault relay
Visible Outputs:	Backlit LCD display HART slave interface via HART communicator.

FEATURES AND BENEFITS

- Universal design supports multiple Det-Tronics sensors or generic linear 4-20 mA sensors.
- Local digital LCD display continuously indicates gas level, gas type, and units measured.
- Backlit and heated display.
- Non-intrusive calibration quickly performed by one person.
- Rugged construction approved for use in classified hazardous areas.
- Linear isolated/non-isolated 4-20 mA output with HART.
- Non-intrusive menu allows device configuration without de-classifying the hazardous area.
- Internal magnetic switches provide a non-intrusive user interface.
- Smart capabilities with access to sensor information and measurement range.
- Event logs: Calibration with date and time stamp.
- Fault logs: Detector fault, Low power and General fault.
- Alarm logs: High gas alarm, Low gas alarm and Aux alarm.

* C7065E O₂ detector is not supported.

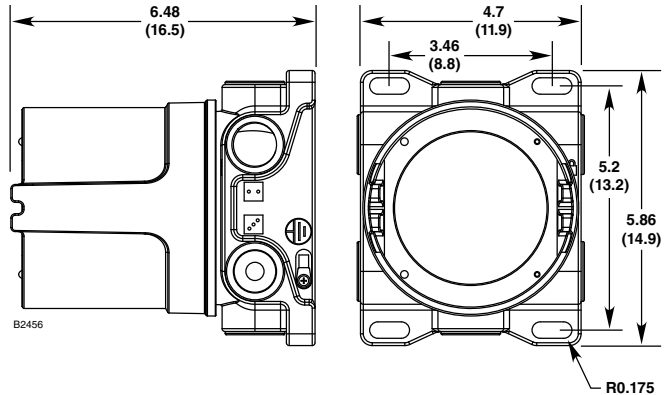
** Requires the use of a CGS Interface Board. See Instruction Manual 95-8661 for details.

SPECIFICATIONS

Operating Voltage	24 Vdc nominal, operating range is 18 to 30 Vdc.
Operating Power	Standard model, with heater and backlight off: No alarm: 1.5 watts @ 24 Vdc. Alarm: 3 watts @ 24 Vdc (20 mA current output, and all 3 alarm relays energized.) Backlight on: 0.5 watt additional. Heater on: 3.5 watts additional. CGS model: Add 4 watts with CGS interface board and CGS sensor installed. Maximum power in alarm, with heater and backlight on: 7 watts @ 30 Vdc (Standard model) 11 watts @ 30 Vdc (CGS model) NOTES: – Heater turns on when the internal temperature drops below –10°C. Heater function can be disabled to save power. – Appropriate relays will be activated when a fault or alarm occurs.
Current Output	Linear isolated 4-20 mA output with HART. Maximum loop resistance 600 ohms at 18 to 30 Vdc.
Relay Contacts	Three Alarm Relays: Form C, 5 amperes at 30 Vdc. Selectable energized/de-energized. Selectable latching/non-latching. One Fault Relay: Form C, 5 amperes at 30 Vdc. Normally energized for no fault condition with power applied.
Operating Temperature	–55°C to +75°C.
Storage Temperature	–55°C to +75°C.
Humidity Range	5 to 95% RH (Det-Tronics verified).
Wiring Terminals	14 to 18 AWG wire can be used.
Conduit Entries	3/4" NPT or M25.
Enclosure Material	Epoxy coated aluminum or 316 stainless steel.
Shipping Weight	Aluminum: 4.15 pounds (1.88 kilograms). Stainless Steel: 10.5 pounds (4.76 kilograms).
Warranty	12 months from date of installation or 18 months from date of shipment, whichever occurs first.
Electro-Magnetic Compatibility	EMC Directive 2004/108/EC EN55011 (Emissions) EN50270 (Immunity).

Dimensions

Dimensions shown in inches (centimeters).



Certification



FM: Class I, Div. 1, Groups B, C & D (T5);
 Class I, Div. 2, Groups B, C & D (T4);
 Class I, Zone 1/2 AEx d IIC (T5);
 Class II/III, Div. 1/2, Groups E, F & G.
 Tamb –55°C to +75°C
 NEMA/Type 4X, IP66
 Conduit seal not required.

Performance verified in accordance with:
 ANSI/ISA-92.00.01
 ANSI/ISA-12.13.01 (CGS excluded)
 FM 6310/6320
 ANSI/ISA-12.13.04/FM 6325

CSA: CSA 08 2029512.
 Class I, Div. 1, Groups B, C & D (T5);
 Class I, Div. 2, Groups B, C & D (T4);
 Class II/III, Div. 1/2, Groups E, F & G.
 (Tamb = –55°C to +75°C)
 Type 4X
 Conduit seal not required.
 Performance verified in accordance with:
 CSA C22.2 #152.

ATEX: 0539 II 2 G
 Ex d IIC T5
 Tamb –55°C to +75°C
 FM08ATEX0042X
 IP66
 Performance verified in accordance with:
 EN 60079-29-1 and EN 50241-1/-2.

IECEX: Ex d IIC T5 Gb
 Tamb –55°C to +75°C
 IECEX FMG 08.0010X
 IP66
 Performance verified in accordance with:
 IEC 60079-29-1.



Refer to Instruction Manual 95-8661 for in-depth information regarding the FlexVu UD10 Universal Display Unit.

Specifications subject to change without notice.

Det-Tronics, the DET-TRONICS logo, and FlexVu are registered trademarks or trademarks of Detector Electronics Corporation in the United States, other countries, or both. Other company, product, or service names may be trademarks or service marks of others.

©Copyright Detector Electronics Corporation 2012. All rights reserved.



Detector Electronics Corporation

6901 West 110th Street • Minneapolis, Minnesota 55438 USA

Operator: (952) 941-5665 or (800) 765-FIRE

Customer Service: (952) 946-6491 • Fax (952) 829-8750

<http://www.det-tronics.com> • E-mail: det-tronics@det-tronics.com