

# Series 4300 Pneumatic

## Non-Indicating Pressure Controller

Rugged construction and dependable operation.



*The Norriseal Series 4300 is pneumatic non-indicating pressure controller, which provides either proportional or on/off control. The Series 4300 combines rugged construction, simple operation, adjustment and easy installation. The Bourdon tube sensing element provides pressure ratings up to 7500 psig and is field replaceable.*

### Application

The Series 4300 is ideal for most types of control valve installations requiring a robust, dependable pneumatic controller with a minimum of parts.

### Specifications

- **Action**
  - Direct (*Increasing process pressure increases output*)
  - Revers (*Increasing process pressure decreases output*)
- **Control Modes** Proportional or On/Off
- **Orifice Type** Fixed or Intermittent Bleed
- **Sensing Element** Bourdon Tube
- **Input Signal** Positive Pressure Consistent with Bourdon Tube Rating
- **Output Signal** Proportional: 3-15 or 6-30 psig  
On/Off: 0-20 or 0-35 psig
- **Supply Pressure** 20 psig for 3-15 output  
35 psig for 6-30 output  
(*Clean dry air or non-corrosive gas*)

### Features

- Stainless steel fasteners and fittings for maximum corrosion resistance
- Weathertight case with removable cover
- Optional compliance to NACE Spec MR-01-75
- Field reversible controller action
- Convenient adjustment of proportional band and set point
- Different orifices available to suit actuator size

### Contents

- 2 Specifications
- 2 Dimensions
- 3 Flow Capacity
- 3 Model Options
- 4 How to Order

**NORRIS**  
PRODUCTION SOLUTIONS

A DOVER COMPANY

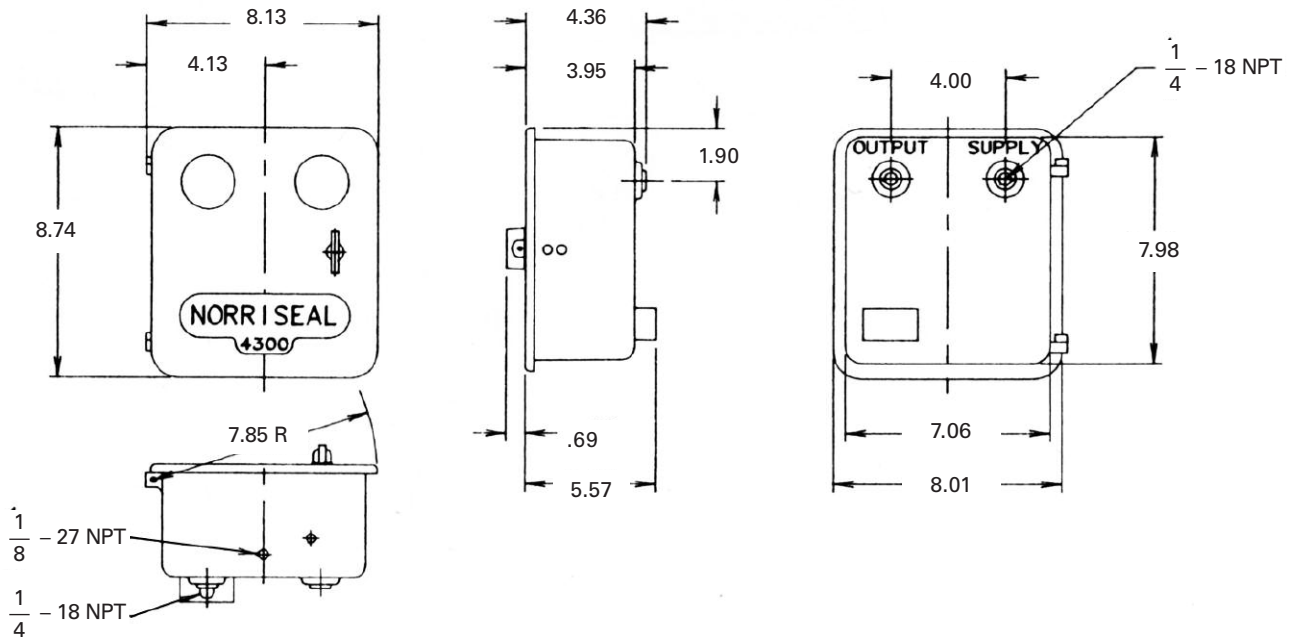
**NORRISEAL**  
A DOVER COMPANY

*Engineered  
Performance*

# Specifications (continued)

■ <b>Air Consumption</b>	<i>Orifice Size</i>	<i>20 psig</i>	<i>35 psig</i>	■ <b>Temperature Limits</b>	-40° to 150° F (Ambient and Process)	
	Small	15 SCFH	20 SCFH		■ <b>Mounting Options</b>	Actuator Yoke, Diaphragm Housing or Pipe Stand
	Large	35 SCFH	50 SCFH			■ <b>Weight</b>
■ <b>Adjustment</b>	<b>Set Point:</b> Continuously Adjustable to Set Proportional Band Anywhere Within Bourdon Tube Range					
	<b>Proportional Band:</b> 2% to 50% of Bourdon Tube Range					
	<b>Recommended Differential Gap:</b>					
	<i>For 20 psig Supply:</i> 10% to 25% of bourdon Tube Range					
	<i>For 35 psig Supply:</i> 15% to 25% of Bourdon Tube Range					

## Dimensions



## Series 4300 and 4300R

Direct or reverse acting proportional pneumatic controller with a 316 SST bourdon tube, aluminum case and door, supply and output gauges, 3-15 or 6-30 psig output signal (span), 2% to 50 % proportional band.

## Series 4302

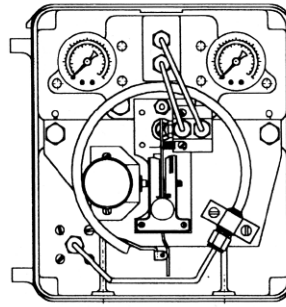
Hi-Low with cutout on high and low set point, designed to put out signal to control valve when controlled process pressure falls below the low pressure set point or rises above the high pressure set point, used in conjunction with a normally closed control valve. High set point proportional band is 20% to 90% of bourdon tube range. Low set point 5% of bourdon tube range to 5% of this maximum range below the high set point. Intermittent bleed. When used with a fail closed valve, a relay is required.

## Series 4302R

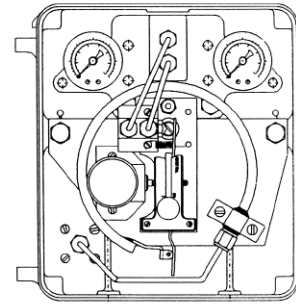
Proportional with output signal cutout on low input signal, designed to cutout (output) pressure below low pressure to control valve when controlled pressure falls below set point, fixed bleed, 2% to 50% proportional band.

## Available Configurations

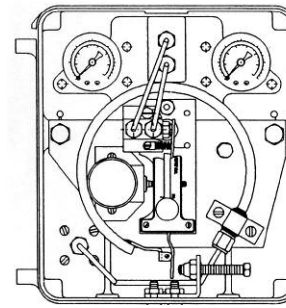
1. Series 4300 and 4300R – proportional control with constant bleed, direct or reverse action.
2. Series 4302 – on/off with cutout on high set point, direct action (reverse relay required).
3. Series 4302R – Proportional control with constant bleed, incorporating low pressure cutout, reverse action.



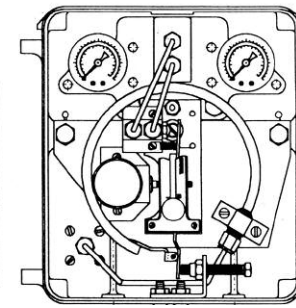
4300 Direct



4300 Reverse



4302 Direct

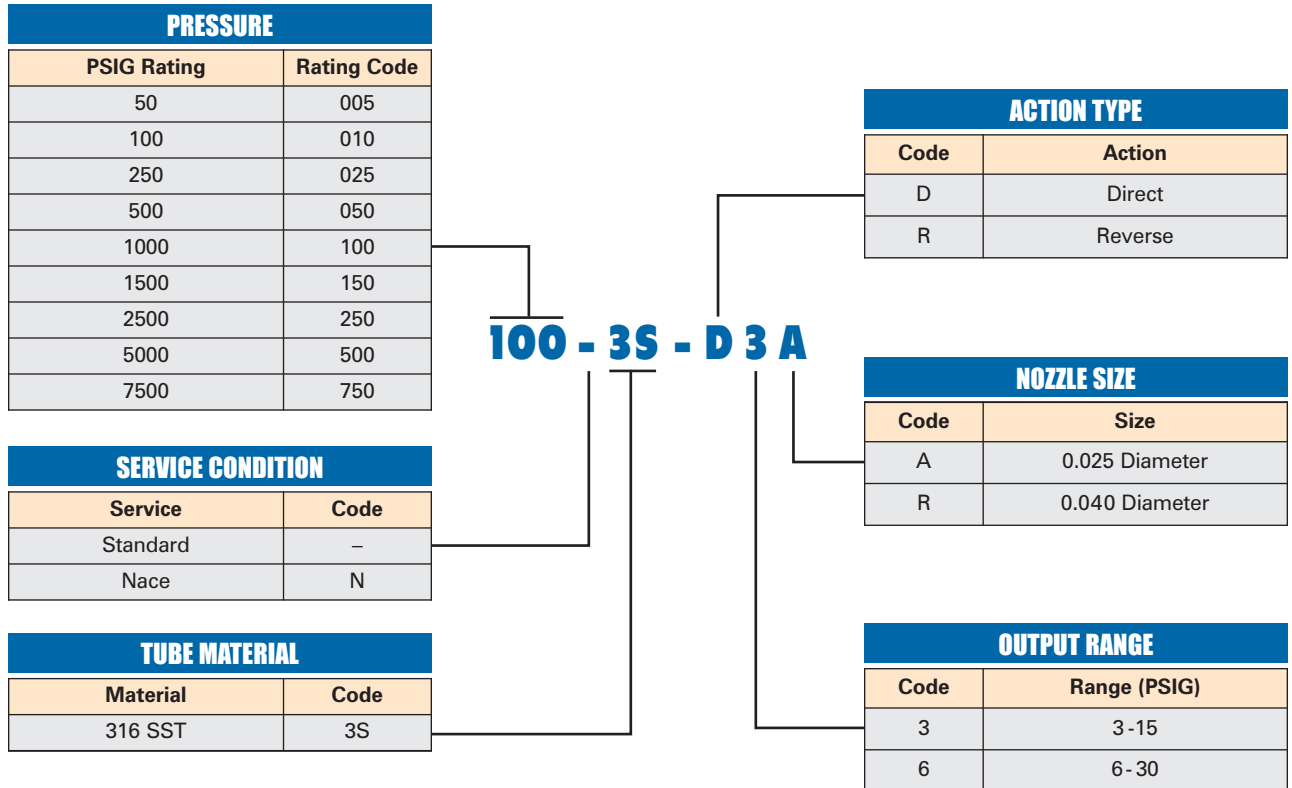


4302 Reverse

Note: When a diaphragm seal is required to isolate the bourdon tube, add the suffix "S" to the series number (i.e. 4300RS)

# How to Order

1. Select series number, as described on previous page.
2. Select model number, according to model code below.
3. Specify mounting location/type (i.e. actuator yoke or diaphragm housing).



*Engineered Performance*

11122 West Little York • Houston, Texas 77041

Tel: 713-466-3552 • Fax: 713-896-7386

[www.norriseal.com](http://www.norriseal.com)

Due to the continuous improvement program at Norriseal, specifications and/or prices are subject to change without notice or obligation.

All other trademarks contained herein are the property of their respective owners.

© 2012 Norriseal, A Dover Company

4300-0112T